



# B30087

## UNDERCARRIAGE KIT

GM K1500 Silverado/Sierra (All New Style)	1999 - 06
GM Avalanche 1500	2002 - 06
GM Suburban/Tahoe/Yukon 1500	2000 - 06

### Parts List and Installation Instructions

**⚠ CAUTION**

Read this document before installing the snowplow.

**⚠ CAUTION**

See your BLIZZARD® outlet/Web site for specific vehicle application recommendations before installation. The Undercarriage Selection Guide has specific vehicle and snowplow requirements.

# SAFETY

## SAFETY DEFINITIONS

### **⚠ WARNING**

Indicates a potentially hazardous situation that, if not avoided, could result in death or serious personal injury.

### **⚠ CAUTION**

Indicates a potentially hazardous situation that, if not avoided, may result in minor or moderate injury. It may also be used to alert against unsafe practices.

**NOTE:** Indicates a situation or action that can lead to damage to your snowplow and vehicle or other property. Other useful information can also be described.

## WARNING/CAUTION & INSTRUCTION LABELS

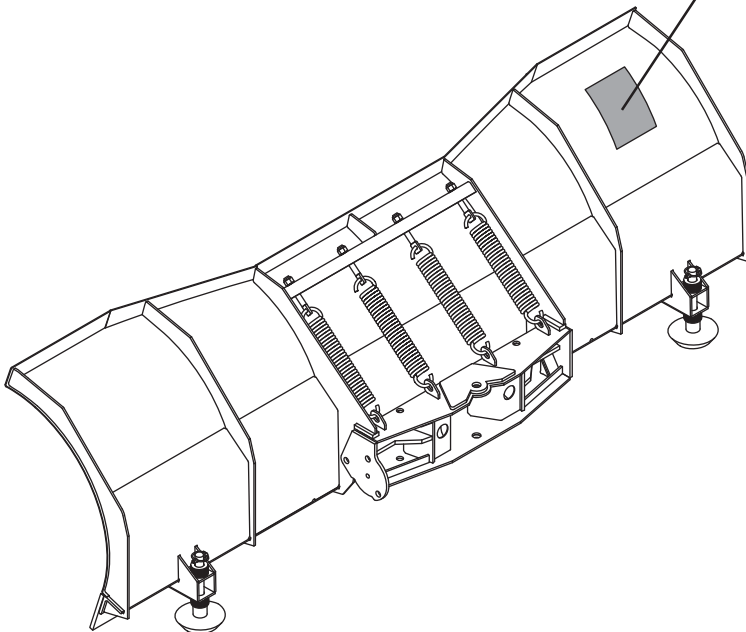
Become familiar with and inform users about the warning and instruction labels on the back of the blade.

**NOTE:** If labels are missing or can not be read, see your sales outlet.

### Warning and Caution Label

<b>⚠ WARNING</b>
LOWER BLADE WHEN VEHICLE IS PARKED. DO NOT EXCEED GVWR OR GAWR INCLUDING BLADE AND BALLAST. REMOVE BLADE ASSEMBLY BEFORE PLACING VEHICLE ON HOIST.
<b>⚠ CAUTION</b>
READ <i>OWNER'S MANUAL</i> BEFORE OPERATING OR SERVICING SNOWPLOW. TRANSPORT SPEED SHOULD NOT EXCEED 45 MPH. FURTHER REDUCE SPEED UNDER ADVERSE TRAVEL CONDITIONS. PLOWING SPEED SHOULD NOT EXCEED 10 MPH. SEE YOUR SALES OUTLET/WEB SITE FOR SPECIFIC VEHICLE APPLICATION RECOMMENDATIONS.

59900



# SAFETY

## SAFETY PRECAUTIONS

Improper installation and operation could cause personal injury, and/or equipment and property damage. Read and understand labels and the Owner's Manual before installing, operating or making adjustments.

### **⚠ WARNING**

**Lower blade when vehicle is parked. Temperature changes could change hydraulic pressure, causing the blade to drop unexpectedly or damaging hydraulic components. Failure to do this could result in serious personal injury.**

### **⚠ WARNING**

**The driver shall keep bystanders clear of the blade when it is being raised, lowered or angled. Do not stand between the vehicle and the blade or within 8 feet of a moving blade. A moving or falling blade could cause personal injury.**

### **⚠ WARNING**

**Keep hands and feet clear of the blade and A-frame when mounting or dismounting the snowplow. Moving or falling assemblies could cause personal injury.**

### **⚠ WARNING**

**Do not exceed GVWR or GAWR including the blade and ballast. The rating label is found on the driver-side vehicle door cornerpost.**

### **⚠ WARNING**

**To prevent accidental movement of the blade, always turn the ON/OFF switch to OFF whenever the snowplow is not in use. The control indicator light will turn off.**

### **⚠ WARNING**

**Remove blade assembly before placing vehicle on hoist.**

### **⚠ CAUTION**

**Refer to the Undercarriage Selection Guide for minimum vehicle recommendations and ballast requirements.**

## PERSONAL SAFETY

- Remove ignition key and put the vehicle in park or in gear to prevent others from starting the vehicle during installation or service.
- Wear only snug-fitting clothing while working on your vehicle or snowplow.
- Do not wear jewelry or a necktie, and secure long hair.
- Wear safety goggles to protect your eyes from battery acid, gasoline, dirt and dust.
- Avoid touching hot surfaces such as the engine, radiator, hoses and exhaust pipes.
- Always have a fire extinguisher rated BC handy, for flammable liquids and electrical fires.

## FIRE AND EXPLOSION

### **⚠ WARNING**

**Gasoline is highly flammable and gasoline vapor is explosive. Never smoke while working on vehicle. Keep all open flames away from gasoline tank and lines. Wipe up any spilled gasoline immediately.**

Be careful when using gasoline. Do not use gasoline to clean parts. Store only in approved containers away from sources of heat or flame.

## VENTILATION

### **⚠ WARNING**

**Vehicle exhaust contains lethal fumes. Breathing these fumes, even in low concentrations, can cause death. Never operate a vehicle in an enclosed area without venting exhaust to the outside.**

# TORQUE SPECIFICATIONS

## TORQUE CHART

### ⚠ CAUTION

Read instructions before assembling. Fasteners should be finger tight until instructed to tighten according to the torque chart. Use standard methods and practices when attaching snowplow including proper personal protective safety equipment.



Grade Identification for J429–Grade 5 Bolt



Grade Identification for J429–Grade 8 Bolt

SAE J429 Grade 5 Torque Values				SAE J429 Grade 8 Torque Values			
Nominal Thread Size	Clamp Loads (lb)	Tightening Torque		Nominal Thread Size	Clamp Loads (lb)	Tightening Torque	
		"Lubricated"	"Dry"			"Lubricated"	"Dry"
1/4-20	2,000	6 ft-lb	8 ft-lb	1/4-20	2,850	9 ft-lb	12 ft-lb
5/16-18	3,350	13 ft-lb	18 ft-lb	5/16-18	4,700	18 ft-lb	25 ft-lb
3/8-16	4,950	23 ft-lb	31 ft-lb	3/8-16	6,950	32 ft-lb	44 ft-lb
7/16-14	6,800	37 ft-lb	50 ft-lb	7/16-14	9,600	53 ft-lb	70 ft-lb
1/2-13	9,050	57 ft-lb	75 ft-lb	1/2-13	12,800	80 ft-lb	107 ft-lb
9/16-12	11,600	82 ft-lb	109 ft-lb	9/16-12	16,400	115 ft-lb	154 ft-lb
5/8-11	14,500	113 ft-lb	151 ft-lb	5/8-11	20,300	159 ft-lb	211 ft-lb
3/4-10	21,300	200 ft-lb	266 ft-lb	3/4-10	30,100	282 ft-lb	376 ft-lb
7/8-9	29,435	321 ft-lb	430 ft-lb	7/8-9	41,550	454 ft-lb	606 ft-lb
1-8	38,600	482 ft-lb	640 ft-lb	1-8	54,540	680 ft-lb	900 ft-lb



Grade Identification for Metric–Grade 8.8 Bolt



Grade Identification for Metric–Grade 10.9 Bolt

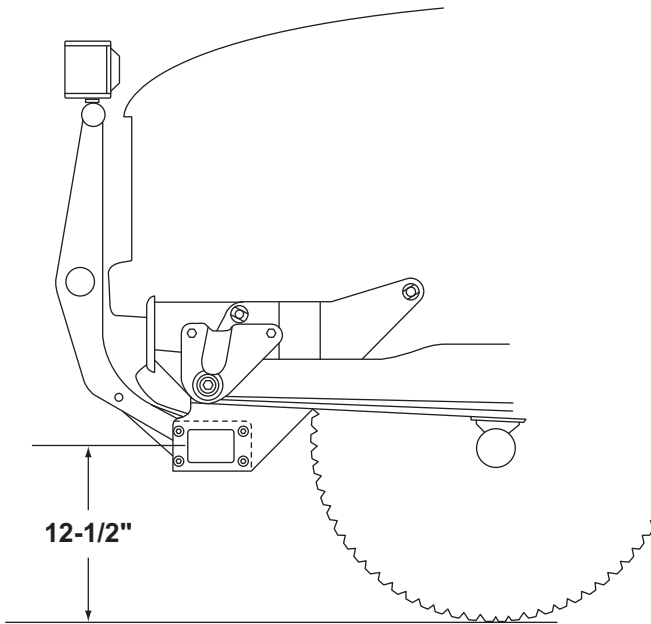
Metric Class 8.8 Torque Values				Metric Class 10.9 Torque Values			
Diameter (mm)	Clamp Loads (lb)	Tightening Torque		Diameter (mm)	Clamp Loads (lb)	Tightening Torque	
		"Lubricated"	"Dry"			"Lubricated"	"Dry"
5	1,389	3 ft-lb	5 ft-lb	5	1,987	5 ft-lb	7 ft-lb
6	1,965	6 ft-lb	8 ft-lb	6	2,812	8 ft-lb	11 ft-lb
7	2,826	10 ft-lb	13 ft-lb	7	4,044	14 ft-lb	19 ft-lb
8	3,579	14 ft-lb	19 ft-lb	8	5,121	20 ft-lb	27 ft-lb
10	5,672	28 ft-lb	37 ft-lb	10	8,116	40 ft-lb	53 ft-lb
12	8,243	49 ft-lb	65 ft-lb	12	11,796	70 ft-lb	92 ft-lb
14	11,246	77 ft-lb	103 ft-lb	14	16,092	111 ft-lb	148 ft-lb
16	15,882	125 ft-lb	167 ft-lb	16	21,970	173 ft-lb	231 ft-lb
18	19,423	172 ft-lb	229 ft-lb	18	26,868	238 ft-lb	317 ft-lb
20	24,784	244 ft-lb	325 ft-lb	20	34,284	338 ft-lb	450 ft-lb

# PUSHBEAM

---

## PUSHBEAM HEIGHT

The recommended pushbeam height for this undercarriage assembly is 12-1/2" from the center of the pushbeam to level ground. DO NOT exceed 14-1/2" in height for this undercarriage.



# UNDERCARRIAGE INSTALLATION

---

---

**NOTE: For easier assembly and installation, vehicle and all snowplow components should be on a smooth, level, hard surface, such as concrete.**

---

1. Remove the fascia mounted to the bottom of the bumper. For the Avalanche, remove the entire plastic bumper. Disconnect the fog lamp electrical harnesses, if equipped, prior to removing the bumper.

---

**NOTE: The bumper fascia/bumper will need to be permanently removed or notched.**

---

If your vehicle has frame rail mounted tow hooks, these will need to be removed temporarily.

2. Remove the cap screws and washers from the rear splash guard mount in the truck frame cross member and discard. Align the front mount holes on the pushbeam (**Item 1**) with the tow hook mount holes on the truck frame rail.

---

**NOTE: Use a floor jack to help facilitate the installation procedure.**

---

3. Replace the tow hooks inside the truck frame rail and align the holes in the hooks with those in the truck frame and pushbeam. Secure the hooks and the undercarriage to the truck frame with cap screws (**Item 6**), washers (**Item 7**) and nuts (**Item 8**). Finger tighten the fasteners until all undercarriage parts are in place.

4. Align the pushbeam support arms with the holes in the truck frame cross member. Position washers (**Item 10**) and cap screws (**Item 9**) through the access hole in the cross member, splash guard and outside hole in the support arm. Secure cap screws with washers (**Item 10**) and nuts (**Item 13**).
5. Secure the splash guard to the cross member with cap screws (**Item 12**) and washers (**Item 11**). The cap screws will locate to the inside holes on the pushbeam support arms.

---

**NOTE: The holes in the cross member are threaded, eliminating the need for new hardware.**

---

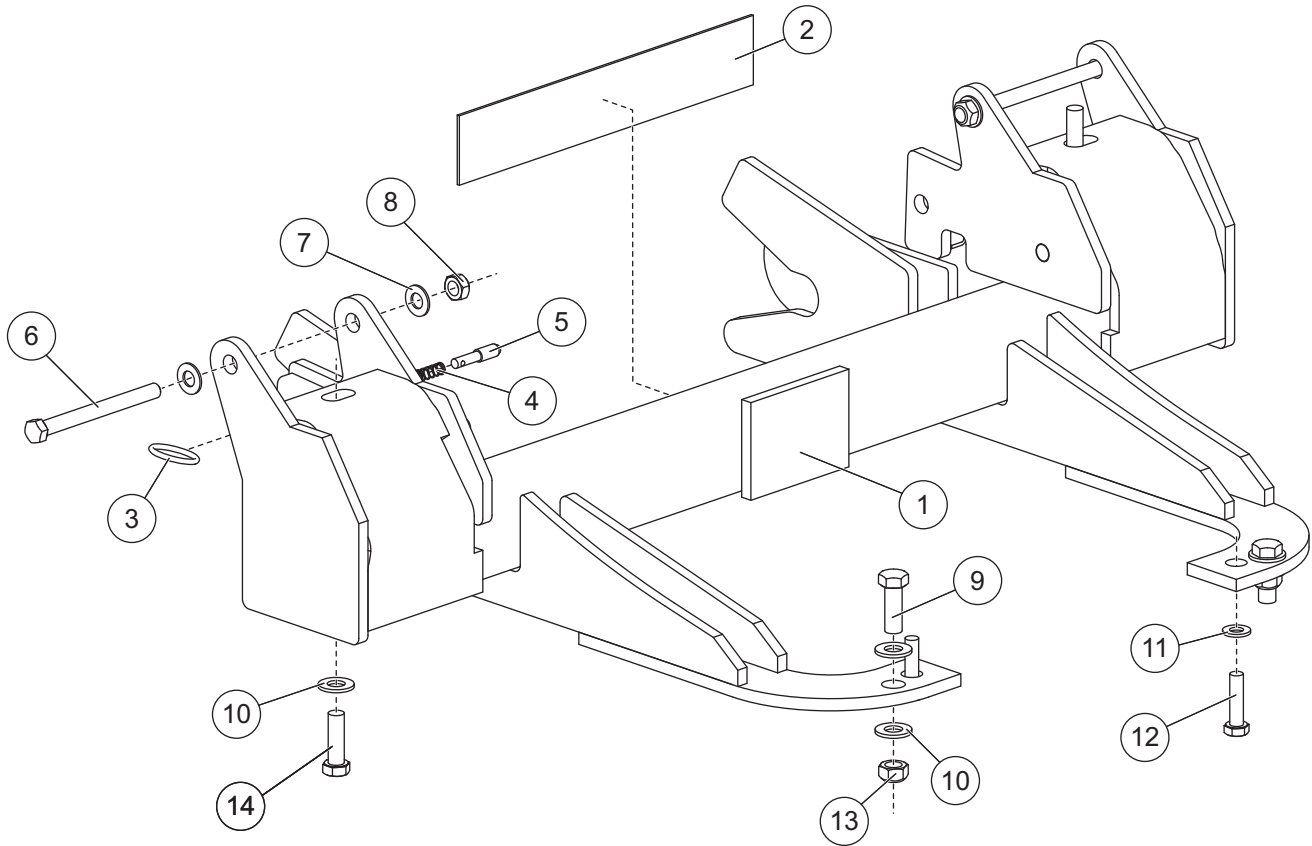
6. Finish securing the undercarriage to the truck frame by placing cap screws (**Item 14**) with washers (**Item 10**) through the center tow hook mount on the undercarriage. The cap screws will tighten into the tow hook threads.
7. Level the pushbeam with the floor and tighten the hardware according to torque chart.
8. Replace the bumper fascia/bumper. Notch fascia/bumper to fit. Reconnect the fog lamp harnesses.

---

**NOTE: After five to ten hours of snowplow usage, retorque all undercarriage assembly fasteners.**

---

# UNDERCARRIAGE PARTS LIST



<b>B30087 Undercarriage Kit</b>							
Item	Part	Qty	Description	Item	Part	Qty	Description
1		1	Pushbeam	4	B61000	2	Compression Spring SS
2	B63162	1	Decal, Pushbeam	5	B40079	2	A-Frame Latch Pin
3	B61309	2	Split Ring, 1.25 OD	ns	B61194	1	Hardware Kit
<b>B61194 Hardware Kit</b>							
6	44425	2	7/16-14 x 6 Hex Cap Screw G8	11	63925	2	3/8 Flat Washer
7	29232	4	7/16 Hardened Flat Washer	12	44426	2	M10 x 1.50 x 40 Hex Cap Screw G8.8
8	90353	2	7/16-14 Hex Locknut GB	13	90593	2	1/2-13 Hex Locknut GC
9	67240	2	1/2-13 x 1-1/2 Hex Cap Screw G8	14	90669	2	M12 x 1.75 x 40 Hex Cap Screw G8.8
10	90572	6	1/2 Hardened Flat Washer				
G = Grade		ns = not shown			SS = Stainless Steel		



Blizzard  
P.O. Box 245038  
Milwaukee, WI 53224-9538  
[www.blizzardplows.com](http://www.blizzardplows.com)

 A DIVISION OF DOUGLAS DYNAMICS, L.L.C.

Copyright © 2008 Douglas Dynamics, L.L.C. All rights reserved. This material may not be reproduced or copied, in whole or in part, in any printed, mechanical, electronic, film or other distribution and storage media, without the written consent of Blizzard. Authorization to photocopy items for internal or personal use by Blizzard outlets or snowplow owner is granted.

Blizzard reserves the right under its product improvement policy to change construction or design details and furnish equipment when so altered without reference to illustrations or specifications used. Blizzard or the vehicle manufacturer may require or recommend optional equipment for snow removal. Do not exceed vehicle ratings with a snowplow. Blizzard offers a limited warranty for all snowplows and accessories. See separately printed page for this important information. The following is a registered (®) trademark of Douglas Dynamics, L.L.C.: BLIZZARD®.

**Printed in U.S.A.**